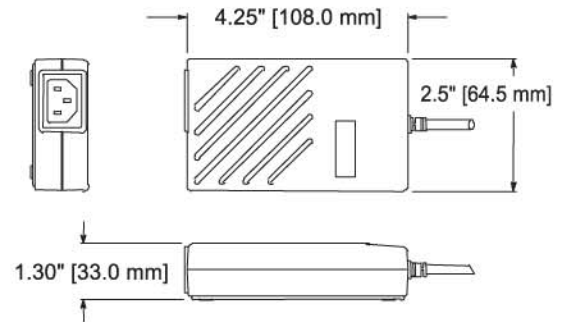


FWC 30 Series

30 Watt Power Supply

- Wide Range AC Input
- Fully Regulated DC Output
- High Efficiency
- Output Grounded
- CEC Compliant
- RoHS Compliant
- 5 Year Warranty



SPECIFICATIONS

INPUT

Voltage	85 - 264 VAC
Current	1.0 Amp @ 100 VAC
Frequency	47 - 63 Hz
AC cord	Optional
Input connector	3 Pin IEC 320 input receptacle

OUTPUT

Total regulation	<+/- 5%
Set point accuracy	< +/- 3% at 60% load
Hold up time	17 ms min at full load, 115 VAC
Over voltage protection	Built-in
Over current protection	Built-in
Short circuit protection	Pulsing mode, auto recovery
Ripple/noise (Vp-p)	<1% (20 MHz bandwidth)
Output connector	Barrel type (5.5 x 2.5 x 9.5 mm)

POLARITY



ENVIRONMENTAL

Operating temperature	0° C to 40° C
Storage temperature	-55° C to 85° C
Weight	0.6 lbs

SAFETY

cTUVus
UL 60950-1
CSA C22.2 No.60950-1
CB per IEC 60950-1
CE marked to LVD and EMC
Class I

EMC

Emissions EN55022 and FCC Part 15, Class B.
Conducted and Radiated.
EN61000-3-2, -3
Immunity EN61000-4-2, -3, -4, -5, -6, -11

Model No.	Volt	Power	Current	Eff@115VAC (Typ)
FWC3009-760F	9V	30W	3.33A	81%
FWC3012-760F	12V	30W	2.5A	83%
FWC3015-760F	15V	30W	2.0A	84%
FWC3018-760F	18V	30W	1.67A	85%
FWC3024-760F	24V	30W	1.25A	86%